

PRISM

LED AREA LIGHT



Public Park, Japan



PRISM-35W

PRISM-60W

PRODUCT FEATURES

- Easy installation & maintenance
- High performance with uniform light distribution
- High system efficacy with low power consumption
- Tool-less maintenance and self cleaning.
- No photobiological risk.

80 %
Energy Saving

IP66

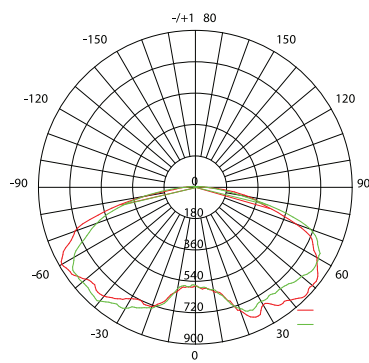
IK09

50,000
Hours at
40°C

CE

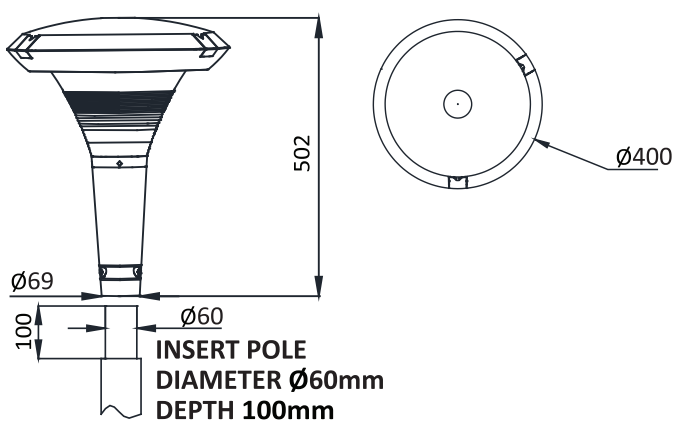
RoHS
Compliance

PHOTOMETRY/BEAM ANGLE



142°

PRODUCT DIMENSION



MODEL NO.	PRISM-35W	PRISM-60W
Power Consumption ±5% (W)	35W	60W
Initial Lumens ±5% (lm)	3,675 lm	6,600 lm
System Efficacy ±5% (lm/W)	105 lm/W	110 lm/W
Power Factor (PF)	> 0.95	> 0.95
Internal Built-In Surge	6kV	6kV
Additional Surge Protective	50kV (25kA)	50kV (25kA)
Colour Temperature (CCT)	3000K / 5000K	3000K / 5000K
Spigot Mounting Hole (mm)	60mm	60mm
Product Dimension, Size L x W x H (mm)	400 x 400 x 502	400 x 400 x 502
Carton Dimension, Size L x W x H (mm)	450 x 450 x 335	450 x 450 x 335
Net Weight (kg)	8.60	8.60
Gross Weight (kg)	9.70	9.70
CBM (m³)	0.07	0.07

Note: The above specified lumen and system efficiency based on standard CCT: 5000K.

TECHNICAL SPECIFICATION

ELECTRICAL SYSTEM

- Input Voltage : 100 - 277Vac, 50/60Hz
- Insulation Class : Class I
- LED Driver : Inventronics (Dimming Optional)

LIGHT SOURCE / OPTIC

- LED Type : SMD 2835 with TM21 and LM80
- Color Temperature : 3000K, 5000K (Upon request) (CCT)
- Color Rendering Index : Ra > 70 (CRI) (Ra > 80 upon request)
- Life Time Residual : (L80), >50,000 hours @ Ta: 40°C Flux
- Optical System : PC Lens
- Working Temperature : Ta : -20°C to +40°C

APPLICATION

- City Center • Residential Park • Plazas
- Parking Area • Pathway • Garden

COMPLIANCE

- Type Test Certified (Luminaire) : EN 60598-1 : EN 60598-2-3 : EN 62321
- EMC Certified : EN 61000-3-2, EN61000-3-3 : EN 55015, EN 61547
- LED Compliances Test : IESNA LM-80 : TM-21

FIXTURE/HOUSING

- Ingress Protection (IP) : IP66
- Impact Protection (IK) : IK09
- Housing Material : Die-Cast Aluminum
- Heatsink Material : Extrusion Aluminum 6063
- Visor Material : UV Stabilized Polycarbonate
- Housing Finish : Black Powder Coating